



# CONTENTS

|  |    |
|--|----|
| <b>1. DESCRIPTION AND APPLICATION OF THE DEVICE</b> .....  | 3  |
| 1.1. TECHNICAL DATA.....   | 3  |
| 1.2 DIMENSIONS OF RECESSED MOUNTED MAGNETIC TRACK<br>FOR PLASTERBOARD 9.5 MM.....                                | 4  |
| 1.3 DIMENSIONS OF RECESSED MOUNTED MAGNETIC TRACK FOR<br>PLASTERBOARD 12.5 MM.....                               | 4  |
| 1.4 DIMENSIONS OF MAGNETIC SURFACE-MOUNTED/SUSPENDED TRACK.....  | 5  |
| <b>2. GENERAL RECOMMENDATIONS AND PRECAUTIONS</b> .....  | 6  |
| <b>3. RECESSED MOUNTED MAGNETIC TRACK IN PLASTERBOARD<br/>CEILING 9.5 MM AND 12.5 MM</b> .....                   | 7  |
| 3.1 SYSTEM CONFIGURATION FOR PLASTERBOARD 9.5 MM .....   | 8  |
| 3.2 SYSTEM CONFIGURATION FOR PLASTERBOARD 12.5 MM.....   | 9  |
| <b>4. SYSTEM CONFIGURATION FOR MAGNETIC TRACK SYSTEM INSTALLED<br/>IN PLASTERBOARD</b> .....                     | 10 |
| <b>5. SCHEMATIC FOR TRACK INSTALLATION IN PLASTERBOARD 9.5 MM AND 12.5 MM</b> .....                              | 11 |
| <b>6. SYSTEM ELEMENTS</b> .....  | 12 |
| 6.1 POWER CONNECTORS.....  | 12 |
| 6.2 MECHANICAL CONNECTORS FOR 9.5 MM PLASTERBOARD TRACK.....   | 13 |
| 6.3 MECHANICAL CONNECTORS FOR 12.5 MM PLASTERBOARD TRACK.....  | 13 |
| 6.4 POWER SUPPLIES.....  | 14 |
| <b>7. PROCEDURE FOR TRACK INSTALLATION ON PLASTERBOARD CEILING</b> .....   | 15 |
| <b>8. SURFACE-MOUNTED/SUSPENDED MAGNETIC TRACK</b> .....   | 19 |
| 8.1 SCHEMATIC FOR SURFACE-MOUNTED/SUSPENDED MAGNETIC TRACK.....  | 19 |
| 8.2 SURFACE-MOUNTED/SUSPENDED MAGNETIC TRACK SYSTEM ELEMENTS.....  | 20 |
| <b>9. SYSTEM CONFIGURATION OF MAGNETIC SURFACE-MOUNTED/SUSPENDED<br/>TRACK</b> .....                             | 21 |
| 9.1 MECHANICAL CONNECTIONS FOR MAGNETIC SURFACE-MOUNTED/SUSPENDED<br>TRACK.....                                  | 21 |
| <b>10. PROCEDURE FOR INSTALLING SURFACE-MOUNTED/SUSPENDED MAGNETIC<br/>TRACK ON SURFACE USING BRACKETS</b> ..... | 22 |
| 10.1 PROCEDURE FOR INSTALLING SURFACE-MOUNTED MAGNETIC TRACK USING<br>BRACKETS.....                              | 22 |
| 10.2 PROCEDURE FOR INSTALLING A SUSPENDED MAGNETIC TRACK.....  | 23 |
| 10.3 CONNECTING POWER SUPPLY TO MAGNETIC SURFACE-MOUNTED/SUSPENDED<br>TRACK USING EXTERNAL POWER SUPPLY.....     | 24 |
| 10.4 CONNECTING POWER SUPPLY TO MAGNETIC SURFACE-MOUNTED/SUSPENDED<br>TRACK USING RECESSED POWER SUPPLY.....     | 24 |
| 10.5 CONNECTING DIGITAL DALI PROTOCOL TO MAGNETIC TRACK.....   | 25 |
| <b>11. RECOMMENDATIONS</b> .....   | 26 |
| <b>12. ADDITIONAL INFORMATION</b> .....  | 27 |
| 12.1 TROUBLESHOOTING.....  | 27 |
| 12.2 STORAGE.....  | 28 |
| 12.3 TRANSPORTATION.....   | 28 |
| 12.4 DISPOSAL.....   | 28 |
| 12.5 CERTIFICATION.....  | 28 |
| 12.6 WARRANTY.....   | 28 |
| 12.7 MANUFACTURER.....   | 28 |
| 12.8 IMPORTER.....   | 28 |



# 1. DESCRIPTION AND APPLICATION OF THE DEVICE

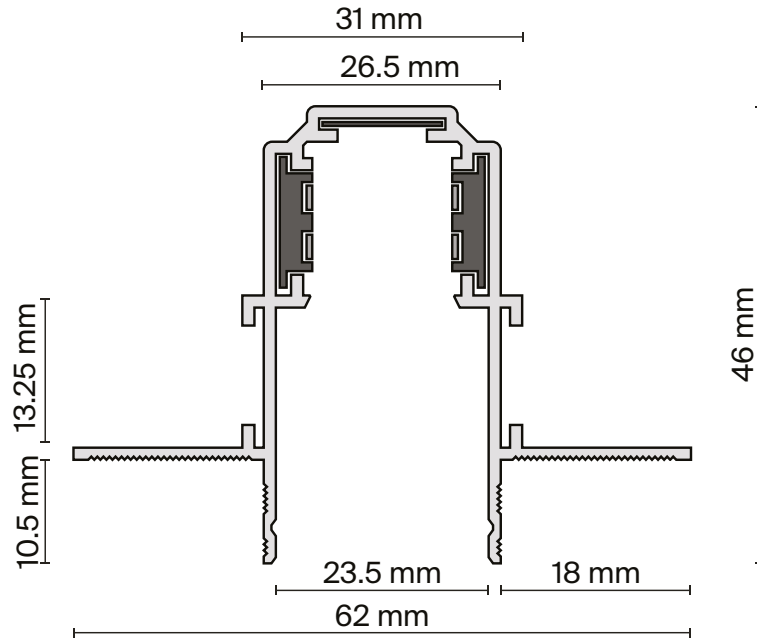
The TRX034 series magnetic track system is the basis for building track lighting and is designed for mounting and supplying power to track lights in the DC electrical power grid with 48V of nominal voltage.

The track system is for internal use only in a non-aggressive environment free of aerosol particles and where a temperature range of 0°C to +50°C is guaranteed. The relative humidity should be equal to less than 80 percent. It is possible to mount the track system to walls and ceilings made out of mildly flammable materials. The other option would be to carry out installation with cable suspensions. The track system is delivered in different lengths: either 1 or 2 metres. There are options of wall and ceiling mounting made of normally flammable materials. It is possible to install the device using cable pendants. The track is supplied in 1 and 2 metre segments. It is possible to cut segments and form configurations of various shapes using connectors. Since the entire system is built specifically for 48V of nominal voltage, it is essential to select the correct power source to light every bulb in the circuit. It is crucial to note that the reserve power supply should not be less than 20% of the overall power consumption for optimal performance. This ratio provides support for reliable, continuous use and prevents the luminaires from overheating.

## 1.1 TECHNICAL DATA

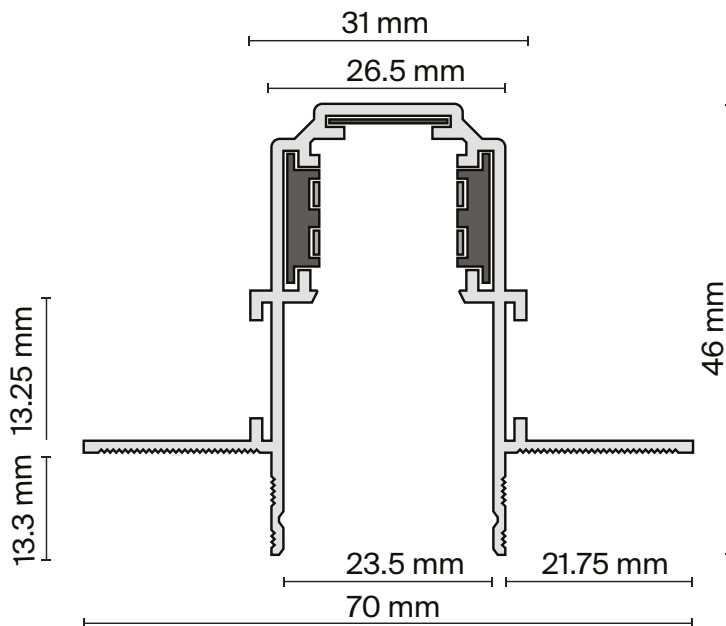
| Size   | 1 m                              | 2 m                              |
|--|----------------------------------|----------------------------------|
| Surface-mounted/suspended track                    | TRX034-411B<br>TRX034-421B       | TRX034-412B<br>TRX034-412W       |
| Recessed mounted track for plasterboard<br>9.5 mm  | TRX034-421B<br>TRX034-421W       |                                  |
| Recessed mounted track for plasterboard<br>12.5 mm | TRX034-421.12B<br>TRX034-421.12W | TRX034-422.12B<br>TRX034-422.12W |
| Rated voltage                                      | DC 48 V                          |                                  |
| Electrical shock protection class                  | III                              |                                  |
| Ingress Protection Code                            | IP20                             |                                  |
| Climatic version                                   | UHL4                             |                                  |
| Operating temperature                              | 0 °C ... +50 °C                  |                                  |
| Material   | Aluminum                         |                                  |

**1.2 DIMENSIONS OF RECESSED MOUNTED MAGNETIC TRACK FOR PLASTERBOARD 9.5 MM**

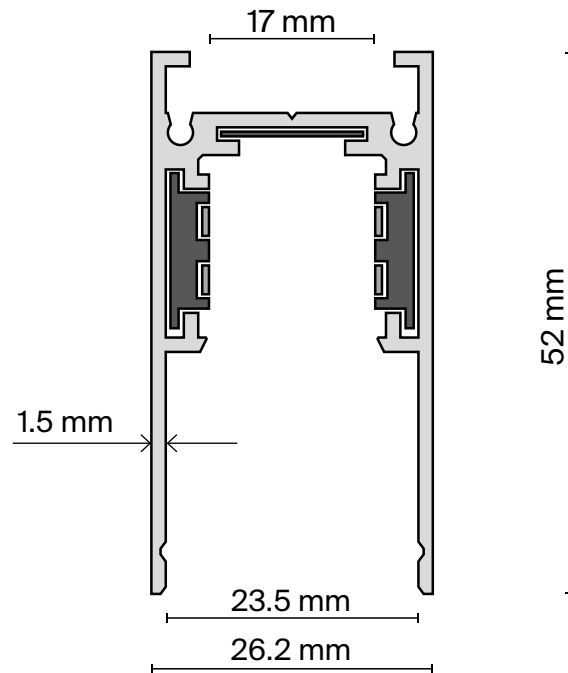


TRX034-421B / TRX034-421W

**1.3 DIMENSIONS OF RECESSED MOUNTED MAGNETIC TRACK FOR PLASTERBOARD 12.5 MM**



TRX034-421.12B / TRX034-421.12W  
TRX034-422.12B/TRX034-422.12W

**1.4 DIMENSIONS OF MAGNETIC SURFACE-MOUNTED/SUSPENDED TRACK**

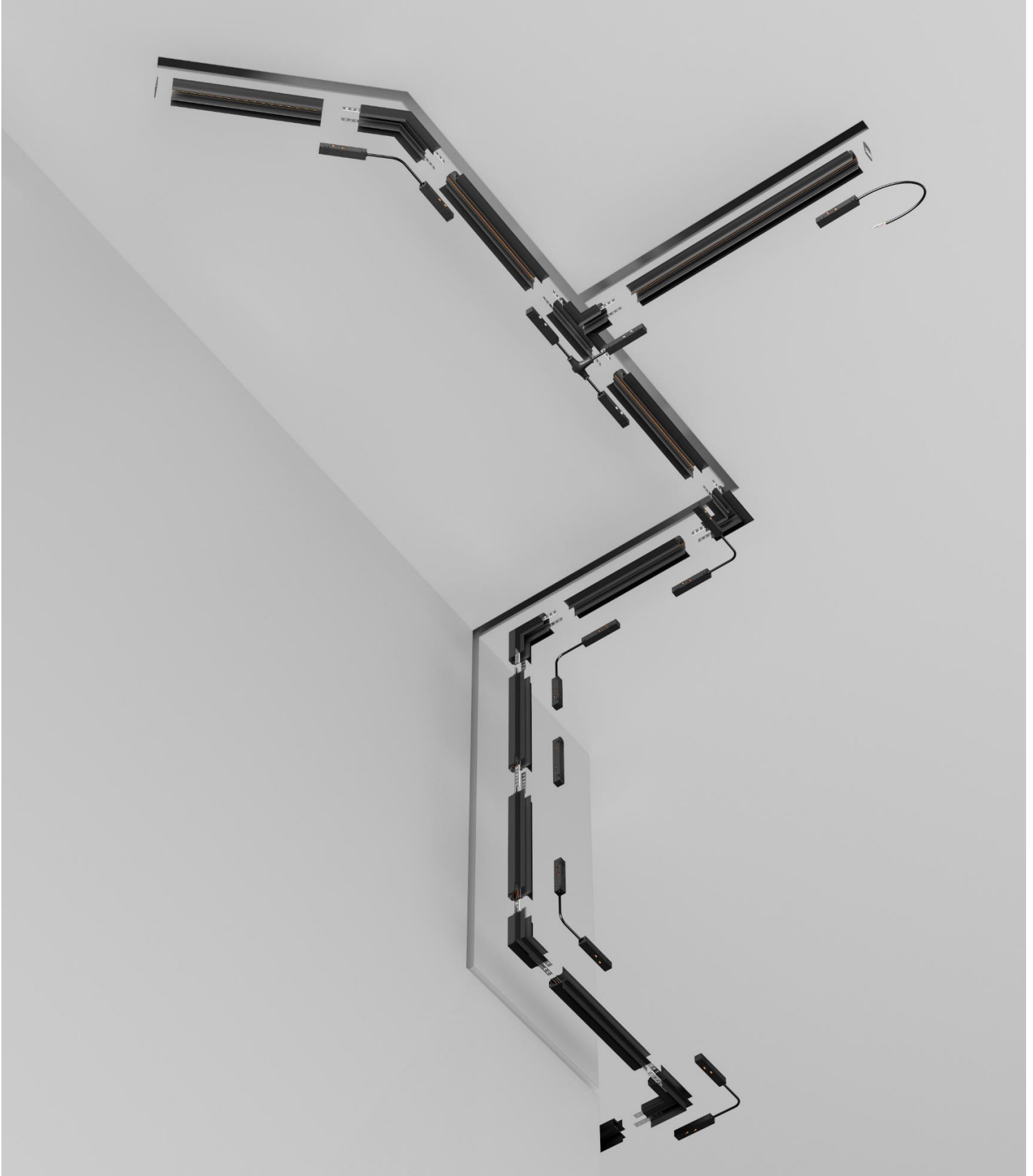
TRX034-411B / TRX034-411W  
TRX034-412B / TRX034-412W

## 2. GENERAL RECOMMENDATIONS AND PRECAUTIONS

All installation and mounting services must be rendered by persons with the appropriate permits and qualifications. Please contact a qualified electrician where necessary. All installation and dismantling works must be carried out with a de-energised network only. It is forbidden to operate the track without a protective ground conductor. Do not connect the track directly to the 230V 50Hz AC mains to prevent failure of the luminaires. When building a track system, do not exceed the total current load of the selected power source keeping the power reserve of 20% in mind.

Do not use the product if the housing and/or supply cable insulation is damaged. The device is intended for indoor use only. Do not use the device in rooms with high humidity and high levels of dust or aerosol particles in the air. Clean the device with a dry soft cloth with the mains power off. Do not use chemically aggressive cleaners.

# 3. RECESSED MOUNTED MAGNETIC TRACK IN PLASTERBOARD CEILING 9.5 MM AND 12.5 MM



# 3.1 SYSTEM CONFIGURATION FOR PLASTERBOARD 9.5 MM

| SYSTEM ELEMENT                       | COLOR    | ARTICLE            |
|--------------------------------------|----------|--------------------|
| PLUG                                 | ■ BLACK  | TRA034EC-42B       |
|                                      | □ WHITE  | TRA034EC-42W       |
| TRACK                                | ■ BLACK  | TRX034-421B        |
|                                      | ■ BLACK  | TRX034-422B        |
| INTERNAL RECESSED<br>ANGLE CONNECTOR | ■ BLACK  | TRA034CL-42B       |
| RECESSED<br>ANGLE<br>CONNECTOR       | ■ BLACK  | TRACL034-42B-R     |
| ROUND<br>ANGLE<br>CONNECTOR          | ■ BLACK  | TRA044-angle       |
| STRAIGHT<br>POWER<br>CONNECTOR       | ■ BLACK  | TRA034PC-42B       |
|                                      | □ WHITE  | TRA034PC-42W       |
| FLEXIBLE ANGLE<br>POWER CONNECTOR    | ■ BLACK  | TRA034CPC-42B-15   |
|                                      | ■ BLACK  | TRA034CPC-42B-15-1 |
|                                      | □ WHITE  | TRA034CPC-42W-15-1 |
| ANGLE<br>POWER<br>CONNECTOR          | ■ BLACK  | TRA034CPC-42B-50   |
| POWER<br>INPUT                       | ■ BLACK  | TRA034B-42B        |
|                                      | ■ BLACK  | TRA034B-42B-1      |
|                                      | □ WHITE  | TRA034B-42W-1      |
| STRAIGHT<br>CONNECTOR                | ■ SILVER | TRA034C-42S        |
| POWER<br>RADIUS<br>CONNECTOR         | ■ BLACK  | TRA034CS-B-DE      |
|                                      | □ WHITE  | TRA034CS-W-DE      |



# 3.2 SYSTEM CONFIGURATION FOR PLASTERBOARD 12.5 MM

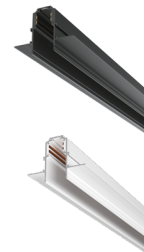
| SYSTEM ELEMENT                       | COLOR    | ARTICLE            |
|--------------------------------------|----------|--------------------|
| PLUG                                 | ■ BLACK  | TRA034EC-42B       |
|                                      | □ WHITE  | TRA034EC-42W       |
| TRACK                                | ■ BLACK  | TRX034-421.12B     |
|                                      | □ WHITE  | TRX034-421.12W     |
| TRACK                                | ■ BLACK  | TRX034-422.12B     |
|                                      | □ WHITE  | TRX034-422.12W     |
| T-ANGLE CONNECTOR                    | ■ BLACK  | TRA034CT-42.12B    |
|                                      | □ WHITE  | TRA034CT-42.12W    |
| RECESSED<br>ANGLE<br>CONNECTOR       | ■ BLACK  | TRA034CL-42.12B    |
|                                      | □ WHITE  | TRA034CL-42.12W    |
| INTERNAL RECESSED<br>ANGLE CONNECTOR | ■ BLACK  | TRA034ICL-42.12B   |
|                                      | □ WHITE  | TRA034ICL-42.12W   |
| ROUND<br>ANGLE CONNECTOR             | ■ BLACK  | TRA044-angle.12B   |
|                                      | □ WHITE  | TRA044-angle.12W   |
| STRAIGHT POWER<br>CONNECTOR          | ■ BLACK  | TRA034PC-42B       |
|                                      | □ WHITE  | TRA034PC-42W       |
| FLEXIBLE ANGLE<br>POWER CONNECTOR    | ■ BLACK  | TRA034CPC-42B-15   |
|                                      | ■ BLACK  | TRA034CPC-42B-15-1 |
|                                      | □ WHITE  | TRA034CPC-42W-15-1 |
| ANGLE POWER<br>CONNECTOR             | ■ BLACK  | TRA034CPC-42B-50   |
| POWER<br>INPUT                       | ■ BLACK  | TRA034B-42B        |
|                                      | ■ BLACK  | TRA034B-42B-1      |
|                                      | □ WHITE  | TRA034B-42W        |
|                                      | □ WHITE  | TRA034B-42W-1      |
| STRAIGHT<br>CONNECTOR                | ■ SILVER | TRA034C-42S        |
| POWER<br>T-CONNECTOR                 | ■ BLACK  | TRA034CWT-42B-DE   |
|                                      | □ WHITE  | TRA034CWT-42W-DE   |
| POWER RADIUS<br>CONNECTOR            | ■ BLACK  | TRA034CS-B-DE      |
|                                      | □ WHITE  | TRA034CS-W-DE      |

# 4. SYSTEM CONFIGURATION FOR MAGNETIC TRACK SYSTEM INSTALLED IN PLASTERBOARD

| SYSTEM ELEMENT                                  | COLOR   | ARTICLE     | SIZE              |
|---|---------|-------------|-------------------|
| RECESSED MOUNTED TRACK FOR PLASTERBOARD 9.5 MM* | ■ BLACK | TRX034-421B | H46 X W62 X L1000 |
|   | ■ BLACK | TRX034-422B | H46 X W62 X L2000 |



|  |         |                |               |
|--|---------|----------------|---------------|
| RECESSED MOUNTED TRACK FOR PLASTERBOARD 12.5 MM* | ■ BLACK | TRX034-421.12B | H46*W70*L1000 |
|  | ■ BLACK | TRX034-422.12B | H46*W70*L2000 |
|  | □ WHITE | TRX034-421.12W | H46*W70*L1000 |
|  | □ WHITE | TRX034-422.12W | H46*W70*L2000 |

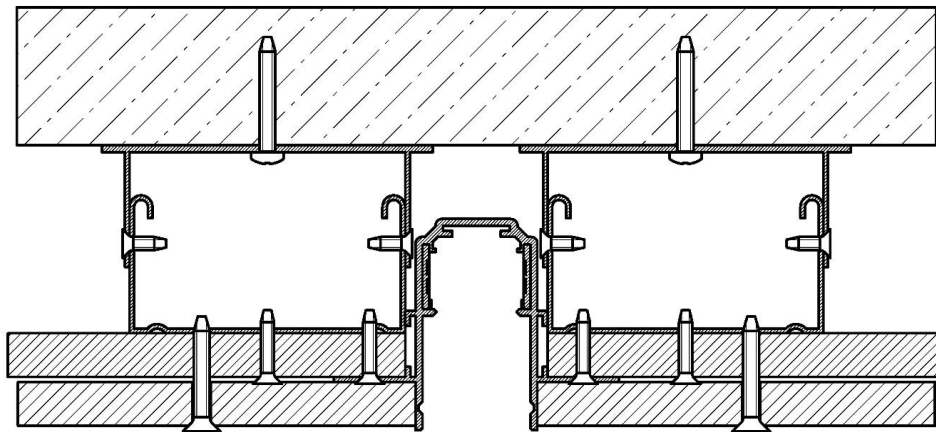
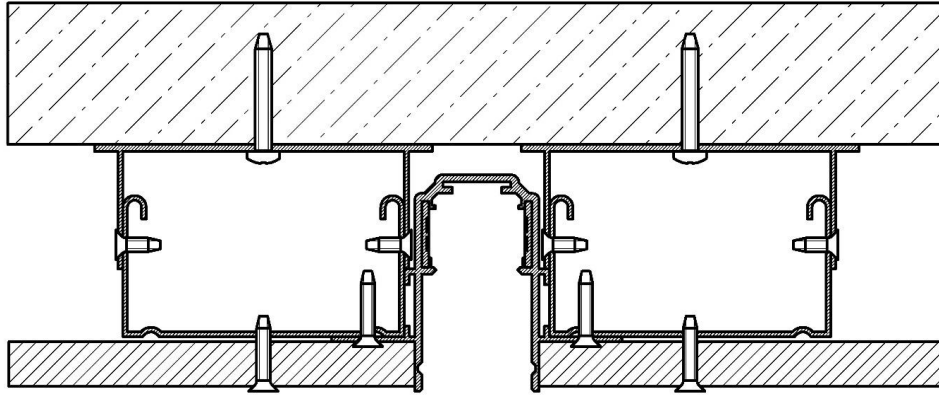


|            |         |              |         |
|------------|---------|--------------|---------|
| PLUG, 2 EA | ■ BLACK | TRA034EC-42B | H46*W26 |
|            | □ WHITE | TRA034EC-42W | H46*W26 |











# 5. SCHEMATIC FOR TRACK INSTALLATION IN PLASTERBOARD 9.5 MM AND 12.5 MM

Attention! A recessed mounted track for installation in a plasterboard ceiling can be mounted using 1 or 2 layers of plasterboard.



# 6. SYSTEM ELEMENTS

## 6.1 POWER CONNECTORS

| SYSTEM ELEMENT                       | COLOR   | ARTICLE             | SIZE              |   |
|--------------------------------------|---------|---------------------|-------------------|---|
| STRAIGHT POWER CONNECTOR             | ■ BLACK | TRA034PC-42B        | H18.2*W16.4*L138  |    |
|                                      | □ WHITE | TRA034PC-42W        | H18.2*W16.4*L138  |   |
| ANGLE FLEXIBLE POWER CONNECTOR 15 CM | ■ BLACK | TRA034CPC- 42B-15   | H18.2*W16.4*L92.7 |    |
| ANGLE FLEXIBLE POWER CONNECTOR 15 CM | ■ BLACK | TRA034CPC- 42B-15-1 | H19*W17*L260      |    |
|                                      | □ WHITE | TRA034CPC- 42W-15-1 | H19*W17*L260      |   |
| ROUND POWER CONNECTOR 50 CM          | ■ BLACK | TRA034CPC- 42B-50   | H92*W16*L500      |    |
| POWER INPUT                          | ■ BLACK | TRA034B-42B         | H16*W18*L358      |  |
| POWER INPUT                          | ■ BLACK | TRA034B-42B-1       | H19*W17*L350      |  |
|                                      | □ WHITE | TRA034B-42W-1       | H19*W17*L350      |   |
| POWER T-CONNECTOR                    | ■ BLACK | TRA034CWT-42B-DE    | H163*W18*L345     |  |
|                                      | □ WHITE | TRA034CWT-42W-DE    | H163*W18*L345     |   |
| POWER RADIUS CONNECTOR               | ■ BLACK | TRA034CS-B-DE       | H16*W18*L190      |  |
|                                      | □ WHITE | TRA034CS-W-DE       | H16*W18*L190      |   |

## 6.2 MECHANICAL CONNECTORS FOR 9.5 MM PLASTERBOARD TRACK

| SYSTEM ELEMENT            | COLOR    | ARTICLE        | SIZE          |
|---------------------------|----------|----------------|---------------|
| ANGLE CONNECTOR           | ■ BLACK  | TRACL034-42B-R | H46*W100*L100 |
| INTERNAL ANGLE CONNECTOR  | ■ BLACK  | TRA034CL-42B   | H46*W100*L100 |
| ROUND ANGLE CONNECTOR     | ■ BLACK  | TRA044-ANGLE   | H46*W300*L470 |
| STRAIGHT CONNECTOR (2 EA) | ■ SILVER | TRA034C-42S    | H1*W12*L70    |



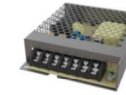
## 6.3 MECHANICAL CONNECTORS FOR 12.5 MM PLASTERBOARD TRACK

| SYSTEM ELEMENT            | COLOR    | ARTICLE          | SIZE          |
|---------------------------|----------|------------------|---------------|
| ANGLE CONNECTOR           | ■ BLACK  | TRA034ICL-42.12B | H46*W100*L100 |
|                           | □ WHITE  | TRA034ICL-42.12W | H46*W100*L100 |
| T-ANGLE CONNECTOR         | ■ BLACK  | TRA034CT-42.12B  | H46*W100*L138 |
|                           | □ WHITE  | TRA034CT-42.12W  | H46*W100*L138 |
| INTERNAL ANGLE CONNECTOR  | ■ BLACK  | TRA034CL-42.12B  | H46*W100*L100 |
|                           | □ WHITE  | TRA034CL-42.12W  | H46*W100*L100 |
| ROUND ANGLE CONNECTOR     | ■ BLACK  | TRA044-angle.12B | H46*W300*L470 |
|                           | □ WHITE  | TRA044-angle.12W | H46*W300*L470 |
| STRAIGHT CONNECTOR (2 EA) | ■ SILVER | TRA034C-42S      | H1*W12*L70    |



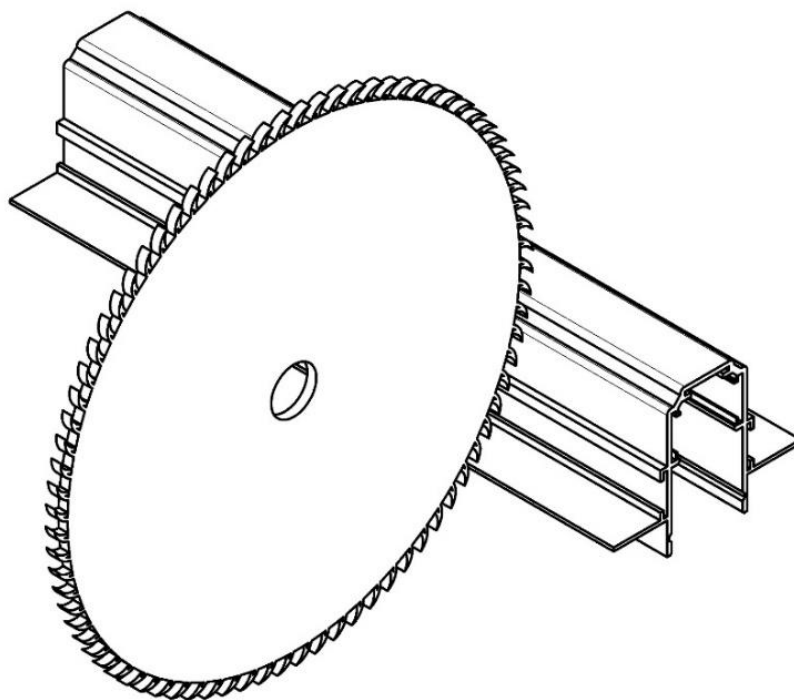
## 6.4 POWER SUPPLIES

| SYSTEM ELEMENT | COLOR    | ARTICLE        | SIZE          |
|----------------|----------|----------------|---------------|
| POWER SUPPLY   | ■ BLACK  | TRX034DR4-100B | H42*W22*L250  |
|                | ■ BLACK  | TRX034DR4-200B | H42*W22*L330  |
|                | □ WHITE  | TRX034DR4-100W | H42*W22*L250  |
|                | □ WHITE  | TRX034DR4-100W | H42*W22*L330  |
|                | ■ SILVER | TRX004DR-100S  | H30*W97*L129  |
|                | ■ SILVER | TRX004DR-150S  | H30*W97*L159  |
|                | ■ SILVER | TRX004DR-200S  | H30*W115*L215 |
|                | ■ SILVER | TRX004DR-350S  | H30*W115*L215 |

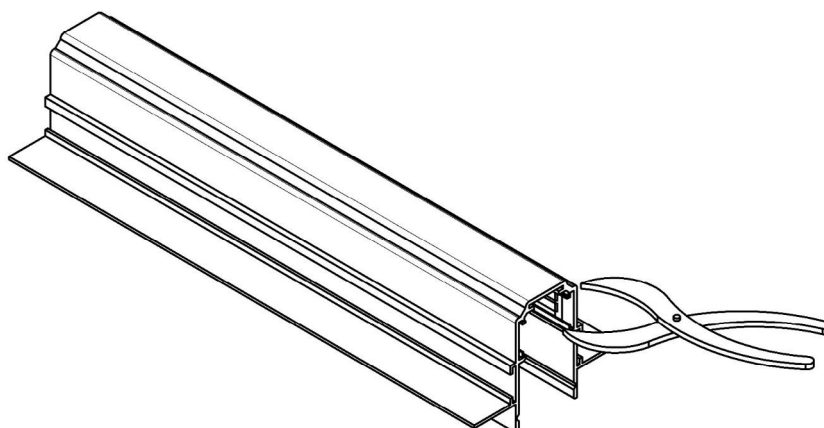


# 7. PROCEDURE FOR TRACK INSTALLATION ON PLASTERBOARD CEILING

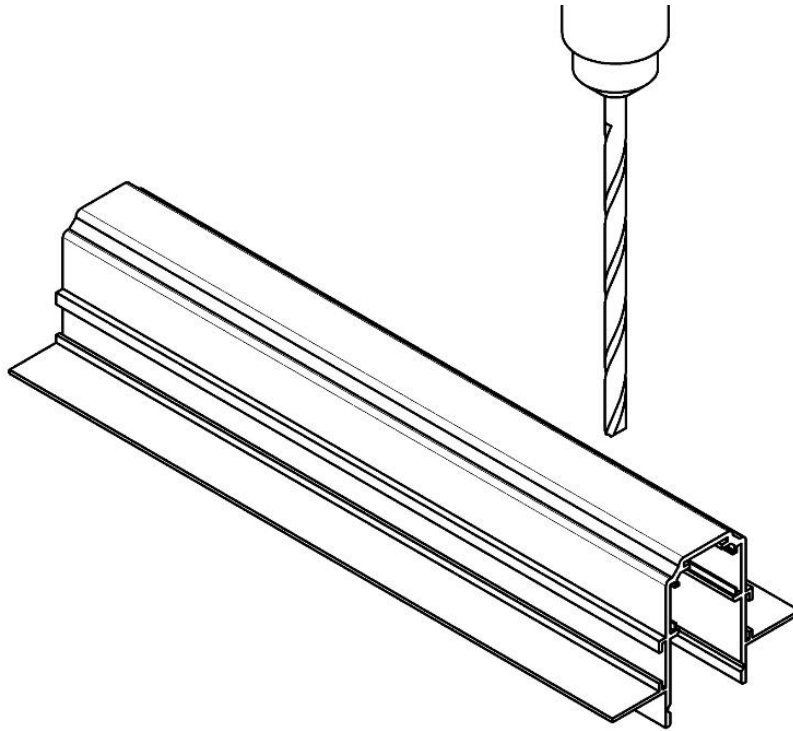
1. Cut the track according to the design dimensions after removing the conductor runs. Cutting can be done at any place and angle. Cut the track with a miter saw.



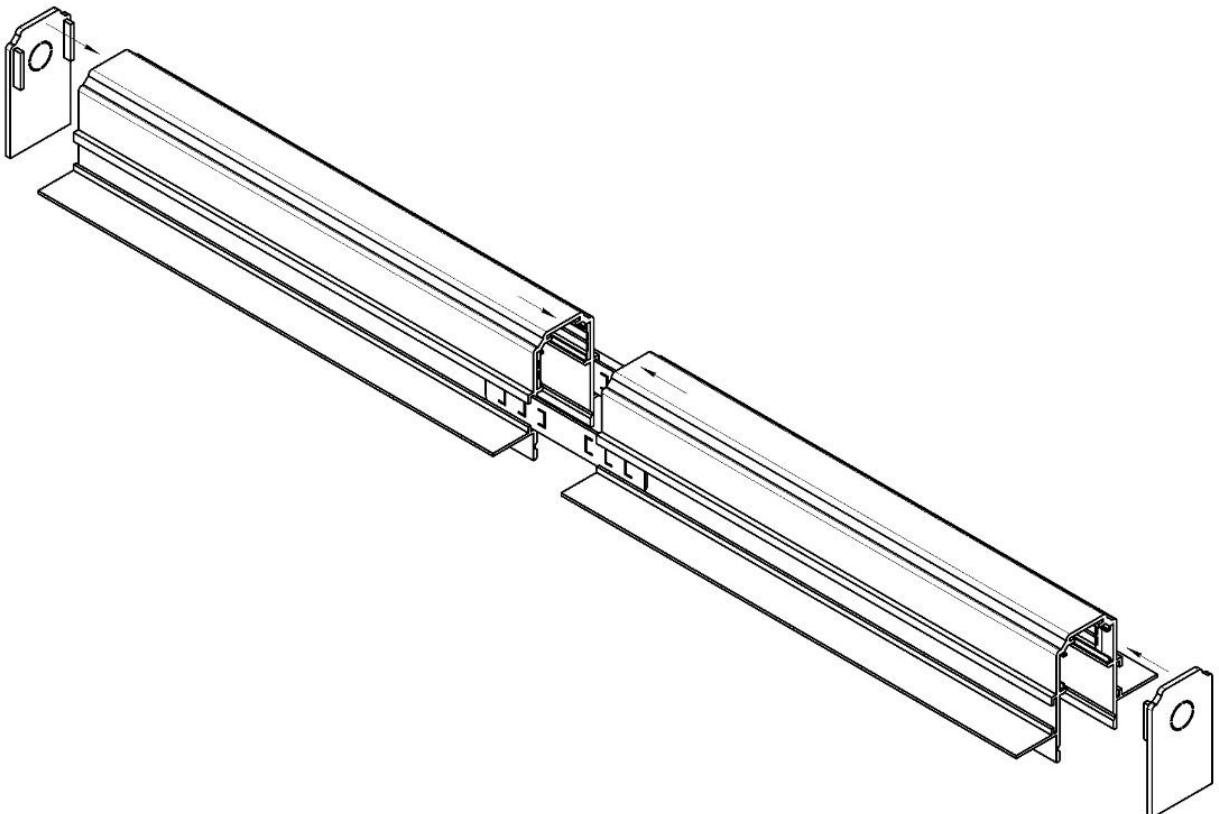
2. Shorten the conductor runs by 5mm, install them in the track and crimp their guides in the track.



3. Drill the power cable entry holes and remove the chamfers.

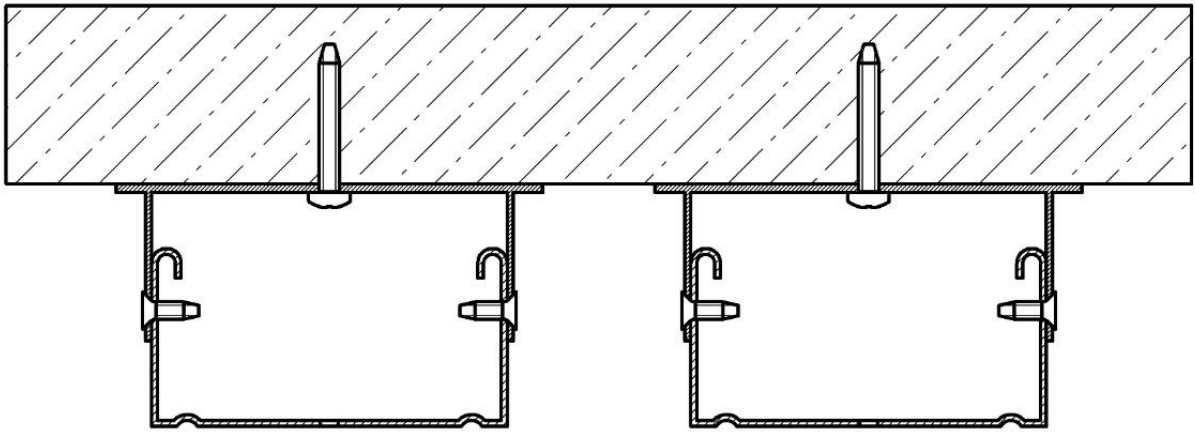


4. Connect the track sections using connectors and install the plugs. Pack the track in extruded polystyrene foam immediately after installation to protect it from deformation and dust during the remaining period of installation activities.

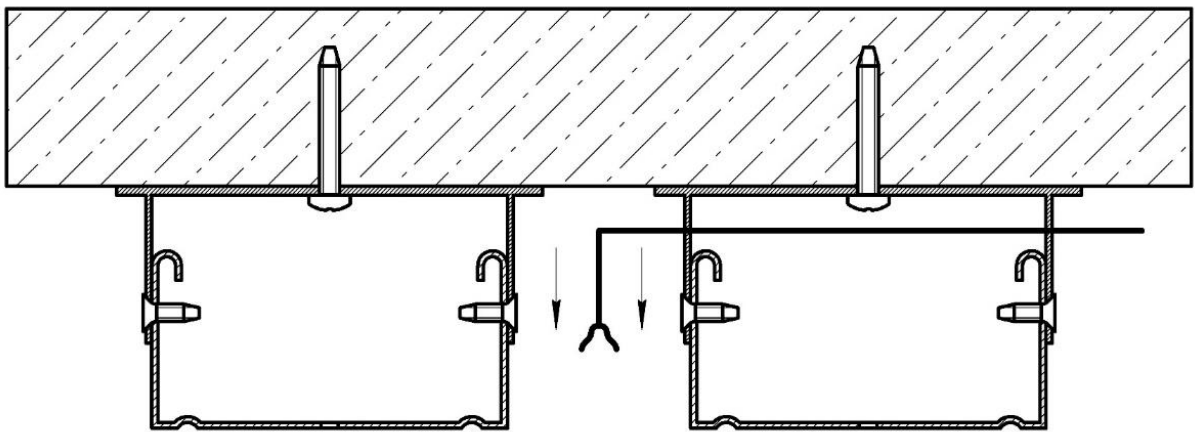




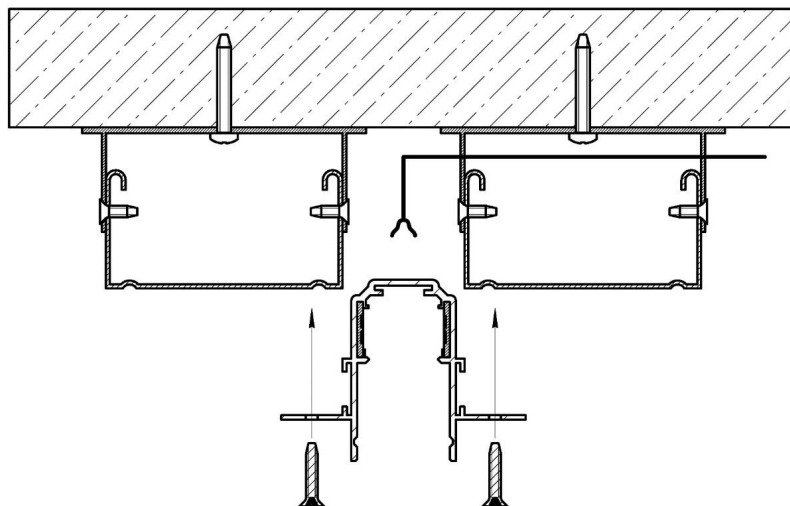
5. Install the ceiling profile in accordance with the required dimensions.



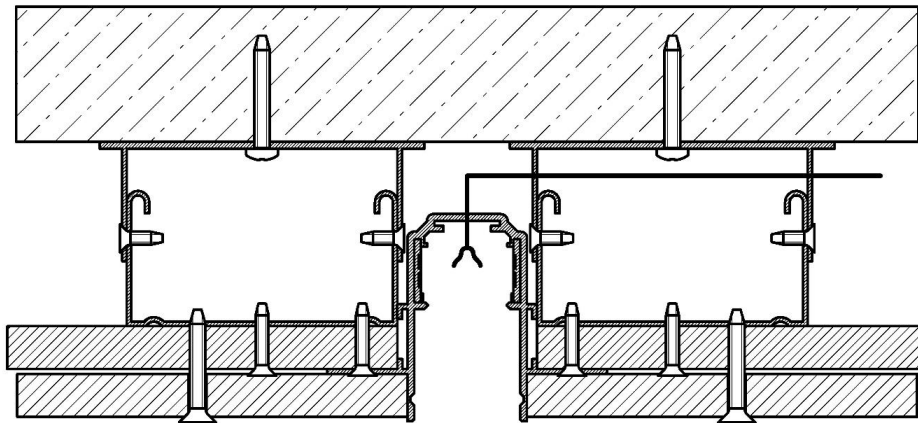
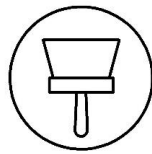
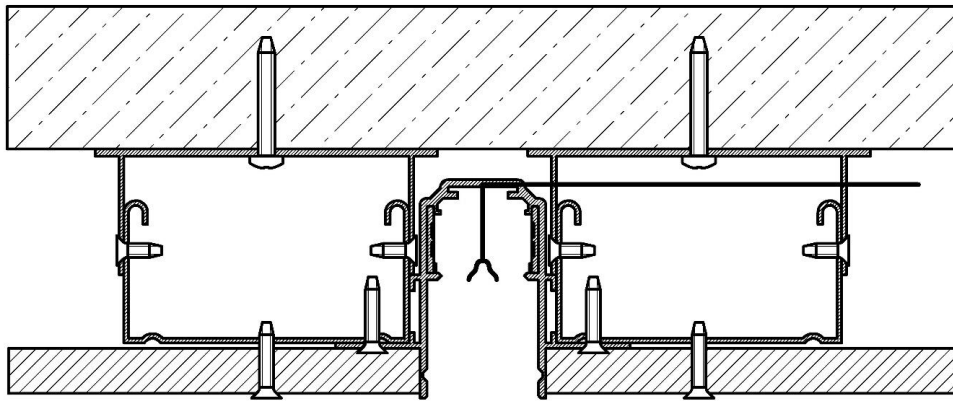
6. Insert the supply wire into the track and connect it to the power input or the recessed power supply.



7. Install the track into the mounting slot and secure it with screws.



8. Install the plasterboard close to the track walls and secure it with screws. Bond a layer of fiberglass mesh. Cover the plasterboard with putty to make level with the track walls.



# 8. SURFACE-MOUNTED/SUSPENDED MAGNETIC TRACK

## 8.1 SCHEMATIC FOR SURFACE-MOUNTED/SUSPENDED MAGNETIC TRACK



## 8.2 SURFACE-MOUNTED/SUSPENDED MAGNETIC TRACK SYSTEM ELEMENTS

\*Two plugs and a decorative moulding are included.

| SYSTEM ELEMENT | COLOR   | ARTICLE     | SIZE       |
|----------------|---------|-------------|------------|
| TRACK          | ■ BLACK | TRX034-411B | 1000*26*52 |
|                | ■ BLACK | TRX034-412B | 2000*26*52 |
|                | ■ BLACK | TRX034-413B | 3000*26*52 |
|                | □ WHITE | TRX034-411W | 1000*26*52 |
|                | □ WHITE | TRX034-412W | 2000*26*52 |
|                | □ WHITE | TRX034-413W | 3000*26*52 |



| SYSTEM ELEMENT | COLOR   | ARTICLE      | SIZE        |
|----------------|---------|--------------|-------------|
| PLUG 2 EA      | ■ BLACK | TRA034EC-41B | H52*W26*2.4 |
|                | ■ BLACK | TRA034EC-42B | H52*W26*2.5 |
|                | □ WHITE | TRA034EC-41W | H52*W26*2.4 |
|                | □ WHITE | TRA034EC-42W | H52*W26*2.5 |



# 9. SYSTEM CONFIGURATION OF MAGNETIC SURFACE-MOUNTED/SUSPENDED TRACK

## 9.1 MECHANICAL CONNECTIONS FOR MAGNETIC SURFACE-MOUNTED/SUSPENDED TRACK

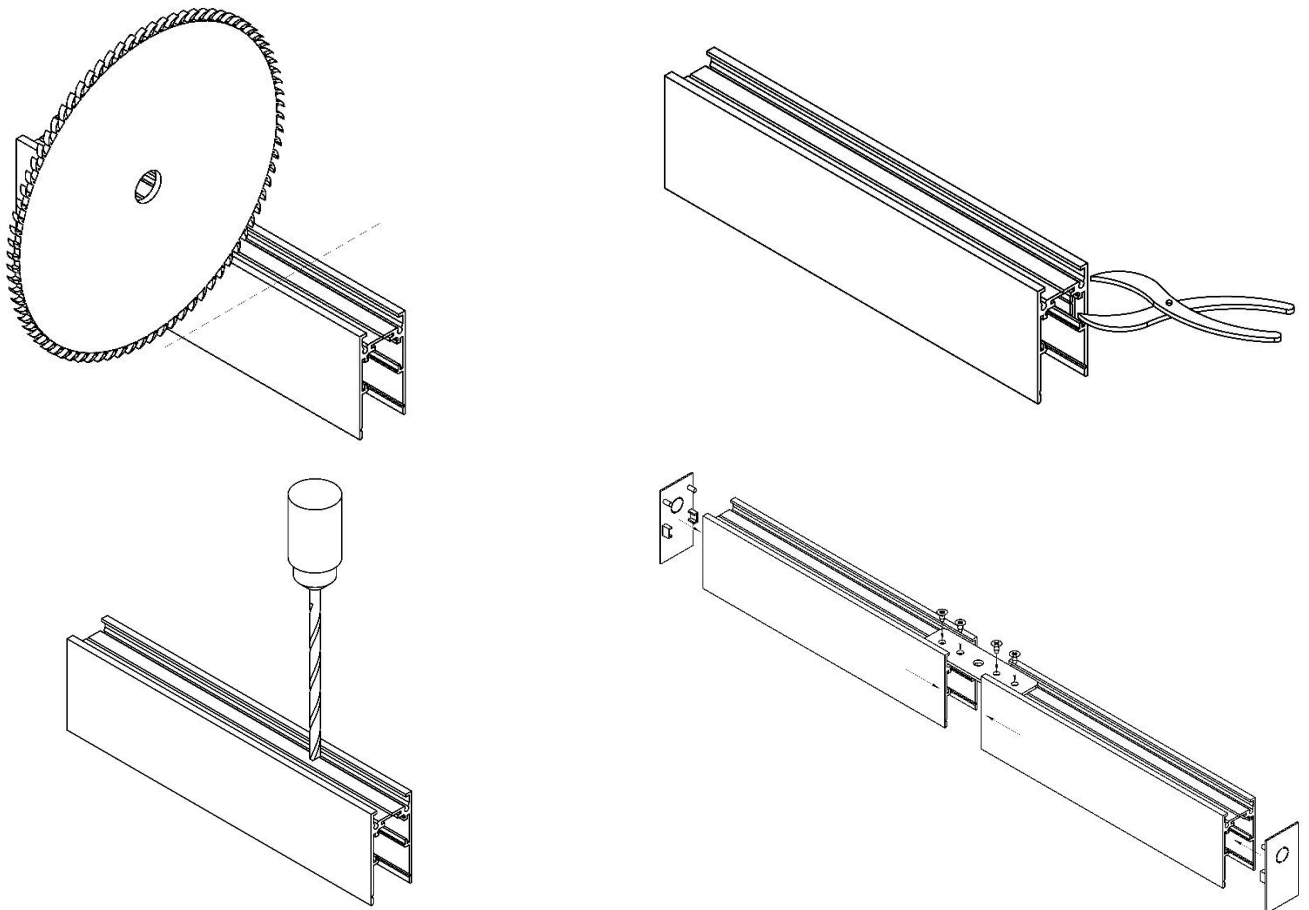
| SYSTEM ELEMENT                | COLOR   | ARTICLE                        | SIZE                           |   |   |
|-------------------------------|---|--------------------------------|--------------------------------|---|---|
| RETAINER FOR SURFACE MOUNTING | <input checked="" type="checkbox"/> BLACK<br><input type="checkbox"/> WHITE | TRA034HS-21B<br>TRA034HS-21W   | 6*60*38 mm<br>6*60*38 mm       |    |    |
| STRAIGHT CONNECTOR            | <input checked="" type="checkbox"/> BLACK<br><input type="checkbox"/> WHITE | TRA034C-21B<br>TRA034C-21W     | 80*2*22.5 mm<br>80*2*22.5 mm   |    |    |
| CABLE SUSPENSION<br>2 EA      | <input checked="" type="checkbox"/> BLACK<br><input type="checkbox"/> WHITE | TRA034SW-2B<br>TRA034SW-2W     | 80*2000*22 mm<br>80*2000*22 mm |    |    |
| ANGLE CONNECTOR               | <input checked="" type="checkbox"/> BLACK<br><input type="checkbox"/> WHITE | TRA034HCL-41B<br>TRA034HCL-41W | 100*52*100 mm<br>100*52*100 mm |   |   |
| INTERNAL ANGLE CONNECTOR      | <input checked="" type="checkbox"/> BLACK<br><input type="checkbox"/> WHITE | TRA034ICL-41B<br>TRA034ICL-41W | 100*52*100 mm<br>100*52*100 mm |  |  |

Attention! For power connectors and power supplies for a surface-mounted/suspended magnetic track, see 6.1. and 6.4.

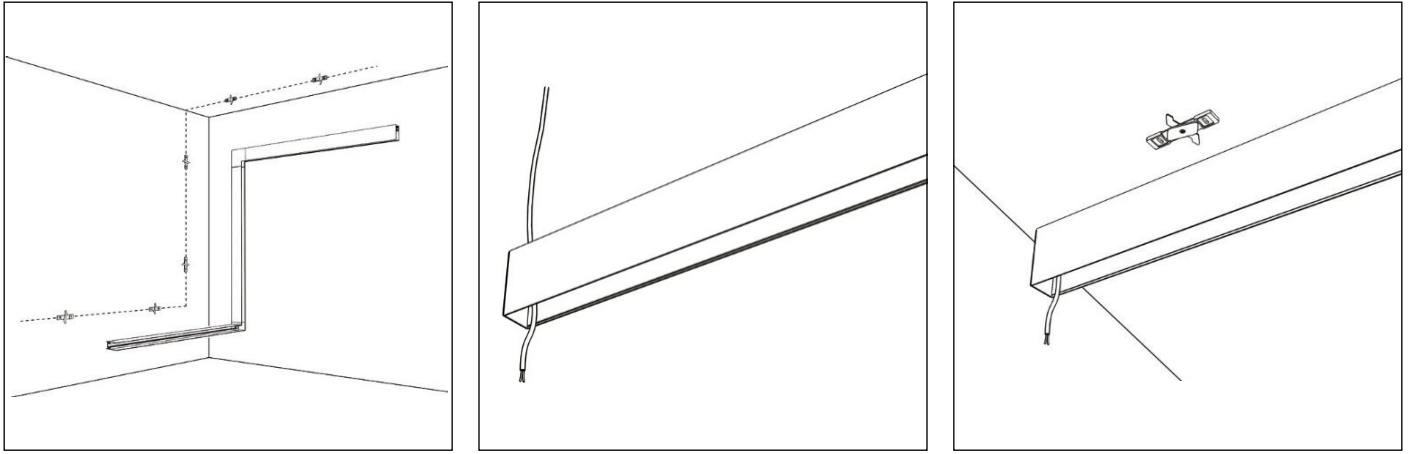
# 10. PROCEDURE FOR INSTALLING SURFACE-MOUNTED/SUSPENDED MAGNETIC TRACK ON SURFACE USING BRACKETS

## 10.1 PROCEDURE FOR INSTALLING SURFACE-MOUNTED MAGNETIC TRACK USING BRACKETS

1. Cut the track according to the design dimensions. Cutting can be done at any place at an angle of 90 degrees.
2. Shorten the conductor runs by 5 mm and crimp their guides in the track.
3. Drill the holes for the power cable entry and remove the chamfers.
4. Connect the track sections using connectors and install the plugs.

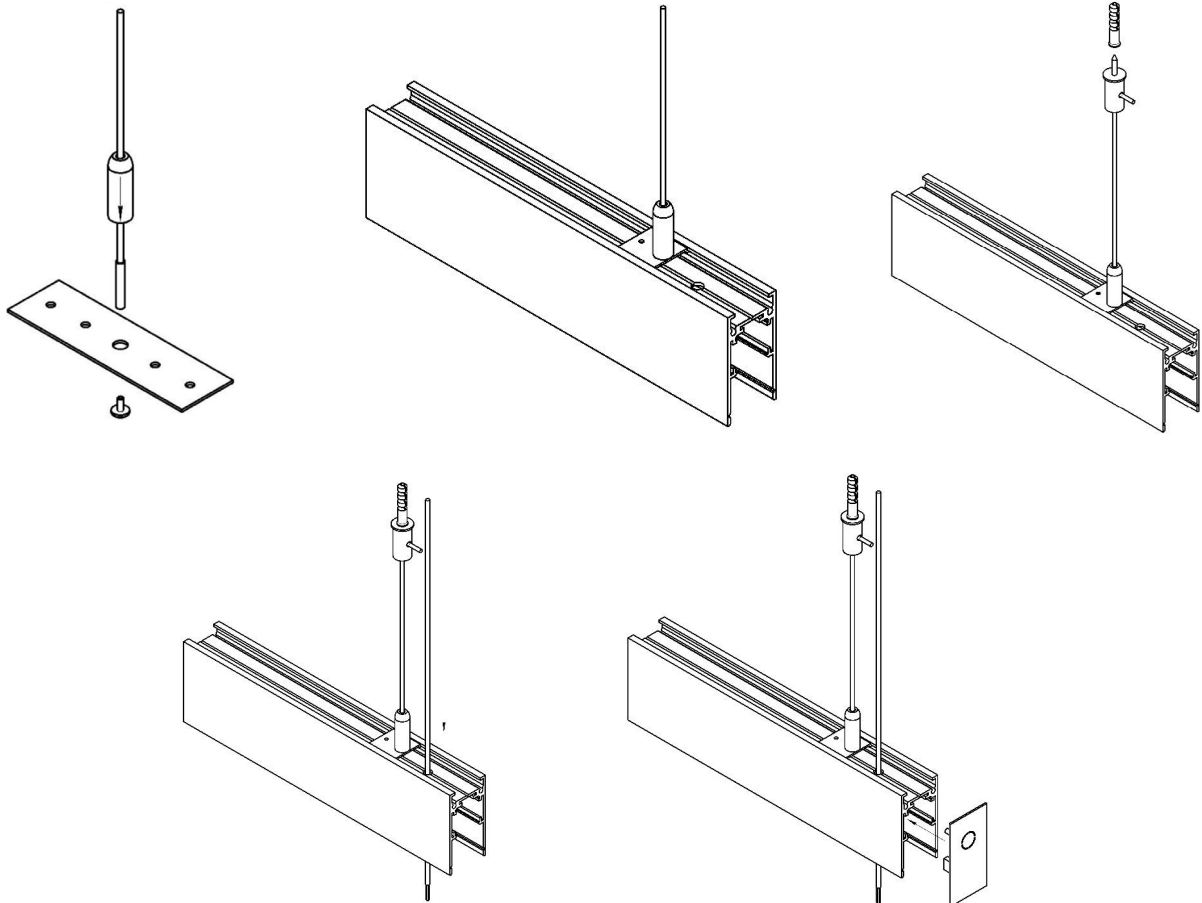


5. Fix the brackets for the surface-mounted track on the wall with an interval of 60 cm.
6. Insert the power cable into the track through the pre-drilled hole.
7. Attach the track close to the wall and turn the levers on the brackets.



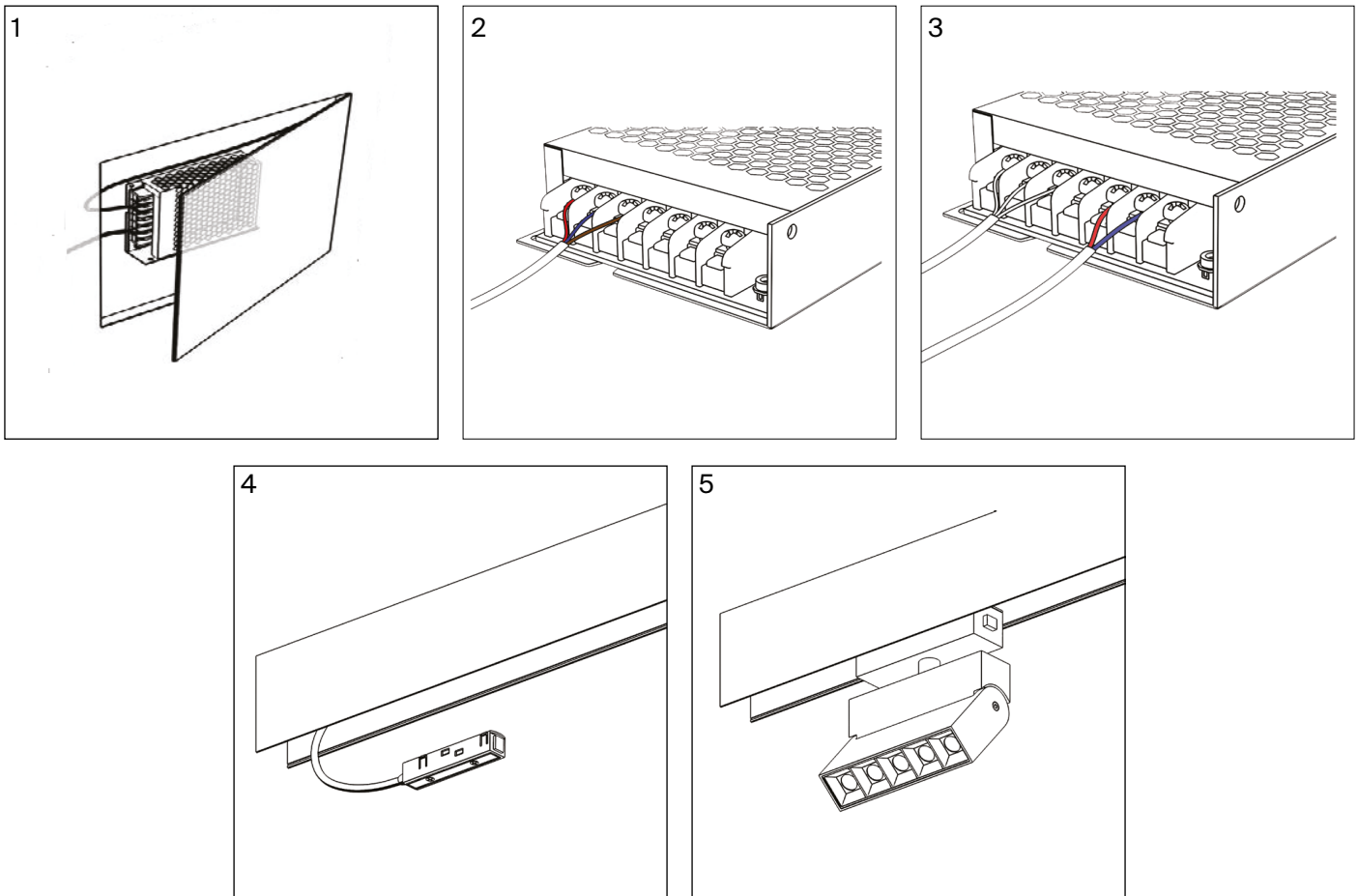
### 10.2 PROCEDURE FOR INSTALLING A SUSPENDED MAGNETIC TRACK

1. Screw the suspensions into the base.
2. Install the suspensions in the groove on the back of the track.
3. Secure the cable holder. Insert the cables into the holders. Adjust the length of the suspensions.
4. Insert the power cable into the track.
5. Install the plugs.



### 10.3 CONNECTING POWER SUPPLY TO MAGNETIC SURFACE-MOUNTED/SUSPENDED TRACK USING EXTERNAL POWER SUPPLY

1. Prepare a niche, place the power supply in it and connect the wires of the 230V 50Hz mains to it.
2. Connect the power supply to the 230V 50Hz mains according to the markings on it. The power reserve of the power supply must be at least 20%. If there is a shortage of power, use a power supply with a large power rating or divide the circuit into several smaller circuits and use one power supply for each.
3. Connect the track power input to the corresponding terminals of the power supply (brown wire to DC 48V+ pin, blue wire to DC 48V- pin).
4. Install the connected power input into the track. Press the button and insert it into the adapter until it clicks. Connect with the mains switched off.
5. Install the luminaire in the track until it clicks.

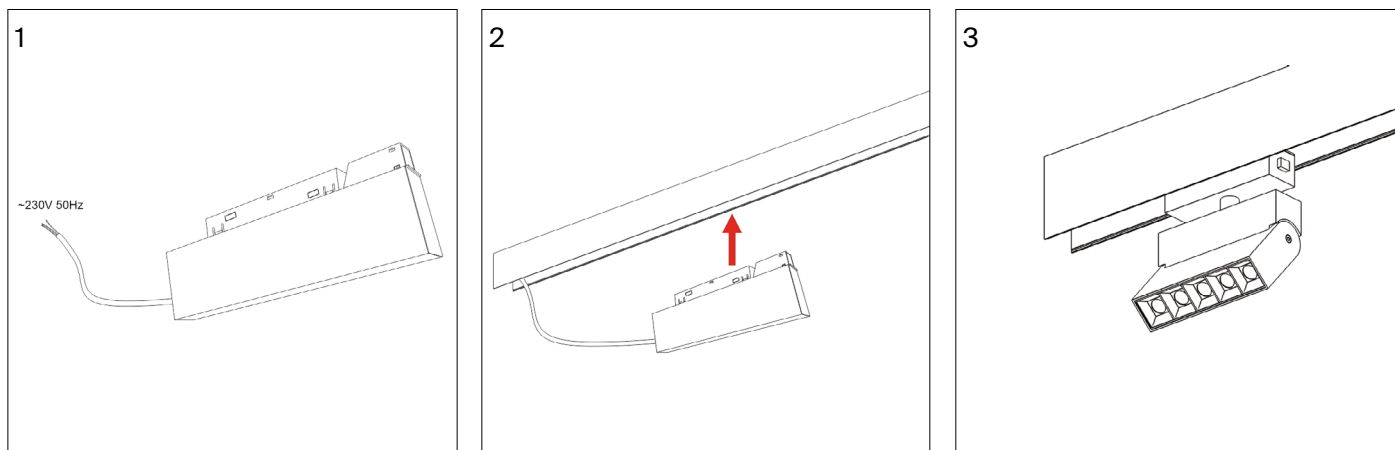


### 10.4 CONNECTING POWER SUPPLY TO MAGNETIC SURFACE-MOUNTED/SUSPENDED TRACK USING RECESSED POWER SUPPLY

When using this power supply, there is no need to input power. These power supplies are selected in terms of power in the same way as power supplies recessed into niches and require 20% of the total load of the connected luminaire.

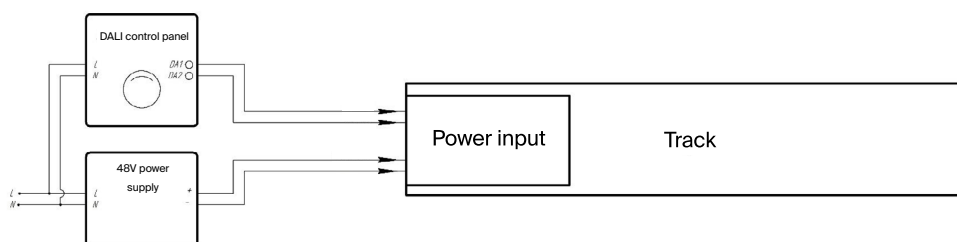


1. Connect the track power supply to the mains according to the marking on the input cable (G – ground, L – phase, N – neutral). Connect with the mains switched off.
2. Place the assembled connection in the track housing.
3. Install the luminaire in the track until it clicks.



### 10.5 CONNECTING DIGITAL DALI PROTOCOL TO MAGNETIC TRACK

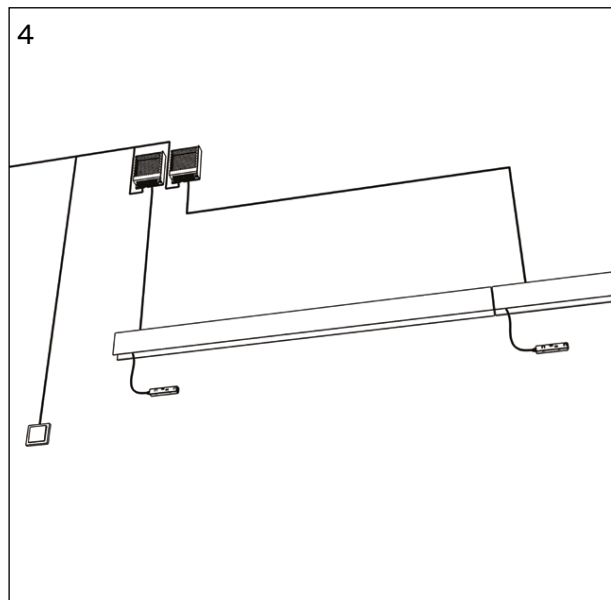
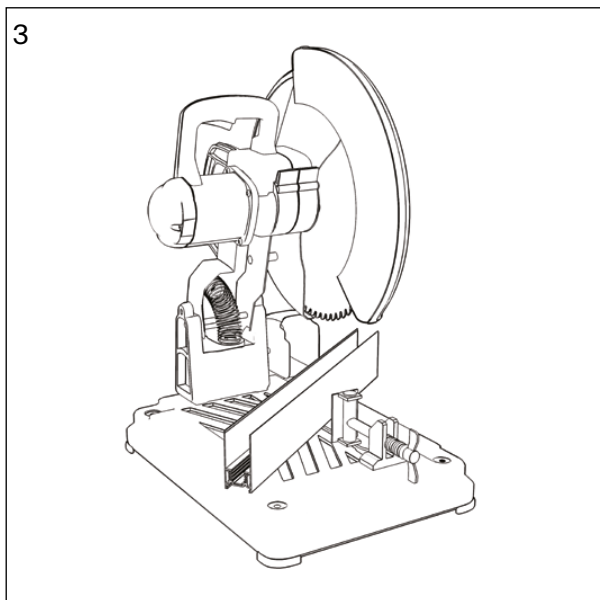
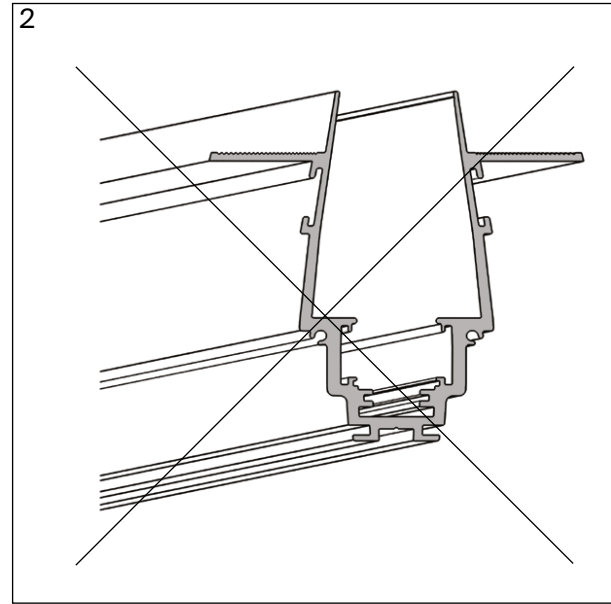
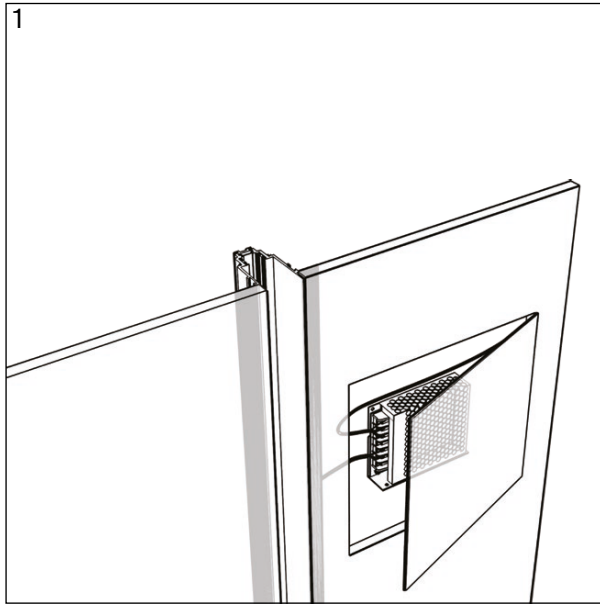
To connect the digital DALI protocol, connect the DALI bus wires to the yellow and green power input wires, as shown in the figure below:



Attention! TRX034DR4-100 / TRX034DR4- 200 recessed power supplies cannot be used to connect D the DALI luminaire, as these power supplies do not have additional contacts for connecting the digital DALI protocol. To connect the digital DALI protocol, use TRA004DR remote power supplies with power input.

# 11. RECOMMENDATIONS

1. When planning the placement of system elements, be sure to include an inspection hatch in the project to service the driver.
2. Do not deform the track during transport and installation.
3. When cutting track, use professional equipment, or use the services of an organisation providing such services.
4. Through 1 power input, you can connect luminaire with a maximum total power of 400W and a track no longer than 20 metres. If the specified power or length is exceeded, it is necessary to connect subsequent sections through a new power input.



5. The power input can be installed in any section of the track, guided by rule, that one power input feeds no more than 20 metres of the track.
6. Be extremely precise when laying out and installing the wall brackets. If you move them out of the path of the track, you may have difficulty installing it.

# 12. ADDITIONAL INFORMATION

## 12.1 TROUBLESHOOTING

| Malfunction                                 | Cause  | Troubleshooting  |
|---|--|--|
| The luminaire does not work                 | No contact in joints   | Install the luminaire on the track until the adapter is in full contact with the current-carrying cores  |
|   | Luminaire failure  | Inspect the input cable connection terminals, the connection of the power input terminals to the track, and other connections                                    |
| The light is flashing or dimly lit when off | Luminaire failure  | Contact the seller for warranty service or replacement   |
|   | To control the lighting circuit, a switch with key backlighting is installed, or a motion (light) detector is used | Replace the switch with a model without key backlighting, or which has an additional resistor in its design. Use motion (light) detector only with relay output. |
| Unstable glow, flickering, extraneous sound | A dimmer is installed in the power circuit   | Remove the dimmer from the circuit, replace it with a switch   |
|   | Faulty power supply  | Contact the seller for warranty service or replacement   |

**12.2 STORAGE**

The goods are stored in packaging indoors in a non-aggressive environment. Storage temperature in the range from -20°C to +70°C and relative air humidity not more than 95%. Do not expose directly to moisture.

**12.3 TRANSPORTATION**

The packaged product is suitable for transportation by sea, rail, road and air.

**12.4 DISPOSAL**

Do not dispose the product with the regular household waste! Products must be disposed according to the directive on electrical and electronic devices at local collection points for such devices!

**12.5 CERTIFICATION**

Safety Standards, Regulations, Requirements EC.

**12.6 WARRANTY**

The warranty for the product is 24 months from the date of sale, which is established per the sale documentation.

Warranty service is provided if the malfunction occurred due to the defect in workmanship, and also subject to all the rules of operation, transportation and storage given in this manual.

The warranty is not valid in the following cases: if the product has been used for purposes that do not correspond to its intended use; the defect arose after the transfer of the goods to the consumer and is caused by incorrect or careless handling, non-compliance with the requirements given in this manual. And also in cases of force majeure, including: fire, flood, high-voltage discharges and other natural disasters, accidents and deliberate actions of third parties that caused the product to malfunction.

**12.7 MANUFACTURER**

Maytoni GmbH, Feldstiege 98, 48161 Münster, Germany

**12.8 IMPORTER**

Maytoni GmbH, Feldstiege 98, 48161 Münster, Germany  
www.maytoni.de  
Developed in Germany.  
Made in China.  
No expiry date.

